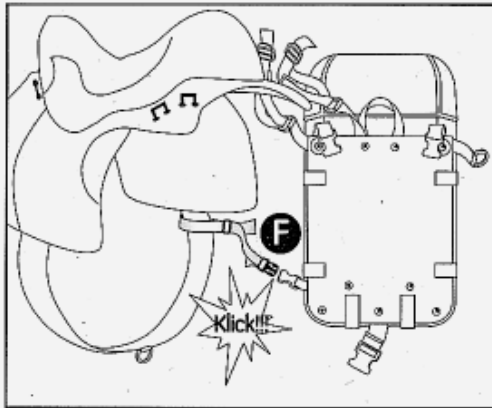
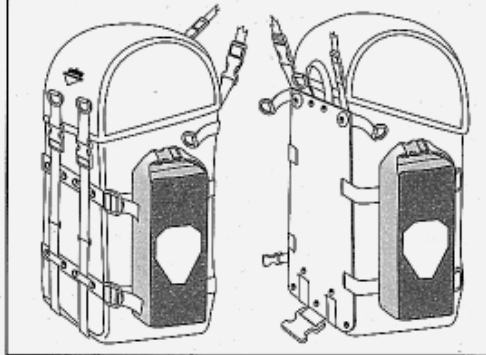


G3



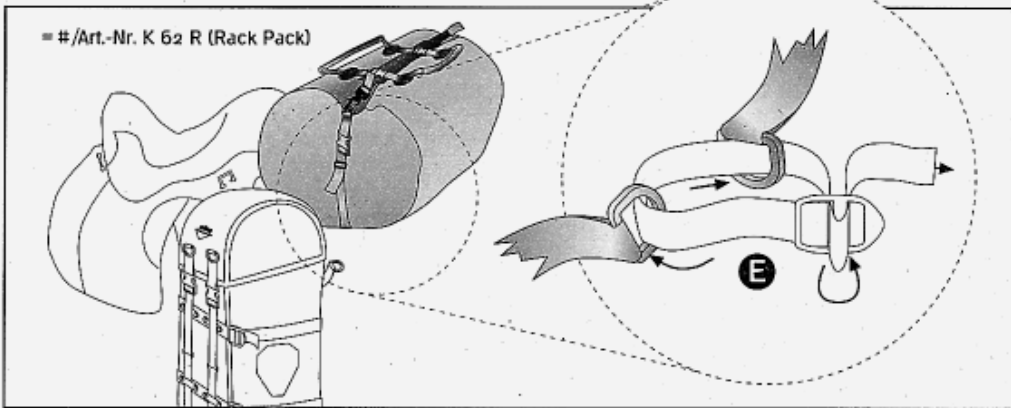
ACCESSORIES

= #/Art.-Nr. F 95 L 9



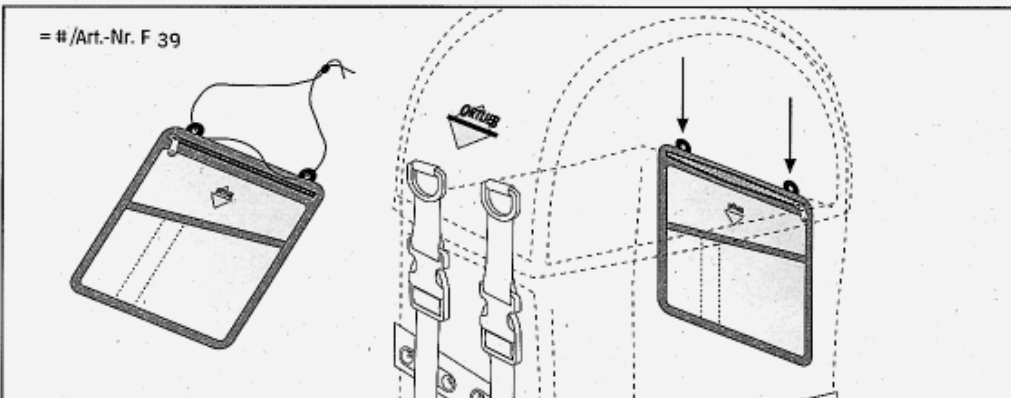
ACCESSORIES

= #/Art.-Nr. K 62 R (Rack Pack)



ACCESSORIES

= #/Art.-Nr. F 39



TY 102 11.99

ORTLIEB
OUTDOOR EQUIPMENT

- | | | |
|----|---------------------------|-------------------------|
| Ⓓ | MONTAGEANLEITUNG: | PFERDEPACKTASCHEN |
| ⒼⒷ | ASSEMBLY INSTRUCTIONS: | HORSE TREKKING PANNIERS |
| Ⓕ | INSTRUCTIONS DE MONTAGE: | SACOCHE POUR CHEVAUX |
| Ⓘ | ISTRUZIONI DI MONTAGGIO: | BORSE PER CAVALLI |
| ⓃⓁ | MONTAGE HANDLEIDING: | PAARDENTASSEN |
| Ⓔ | INSTRUCCIONES DE MONTAJE: | ALFORJAS |
| Ⓐ | MONTERINGSANVISNING: | SADELVÄSKOR |
| Ⓝ | MONTERINGSANVISNING: | HESTESADDELTAŠKE |
| ⒻⒻ | ASENNUSOHJEET: | SATULALAUKUT |
| Ⓙ | 換気の良い所に保管してく | ホースパニア |

INHALT:

CONTENTS:

CONTENU:

CONTENUTO:

INHOUD:

CONTENIDO:

INNEHÅLL:

INHOLD:

SISALTÖ:

火気厳禁

