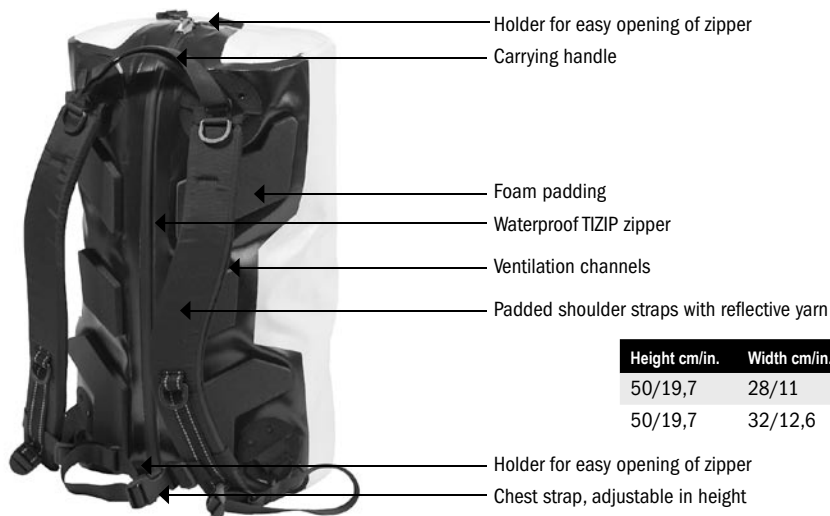
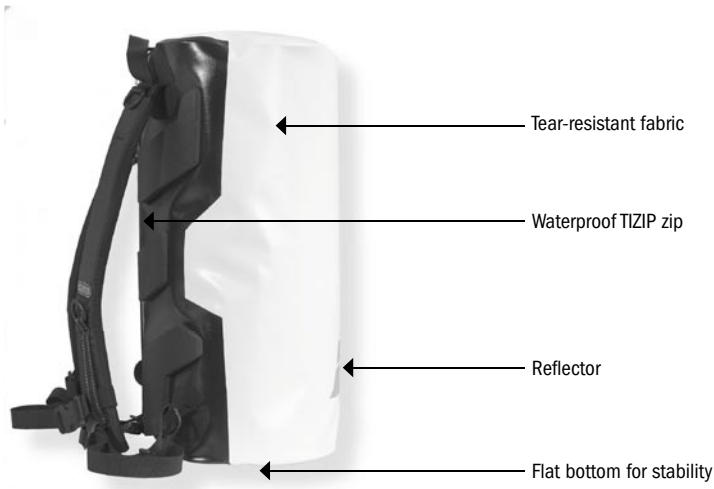


D-FENDER



Waterproof backpack with TIZIP zip



Motorcycle Magazine MO-TORRAD, MO TIPP for 25 L model, March 2008

Height cm/in.	Width cm/in.	Depth cm/in.	Vol. l/cu.in.	Weight g/oz.
50/19,7	28/11	20/7,9	25/1526	630/22,2
50/19,7	32/12,6	24/9,4	33/2014	720/25,4

- Waterproof, lightweight backpack for daily use and travel
- Waterproof zipper
- Perfect access via long zipper
- Padded foam back with ventilation channels
- 6 D-rings for optimal fixation to vehicles
- Optimal for use on motorcycles due to lack of loose straps
- Back stays clean when putting the pack down, because the opening is on the side of the carrying system
- Padded shoulder straps with adjustable chest strap and reflective yarn
- Stable thanks to flat bottom
- Easy to clean
- Reflector

PRODUCT-INFO

Please find information on IP symbols on our info sheet or at www.ortlieb.com/ip-symbols

D-Fender-12-2008