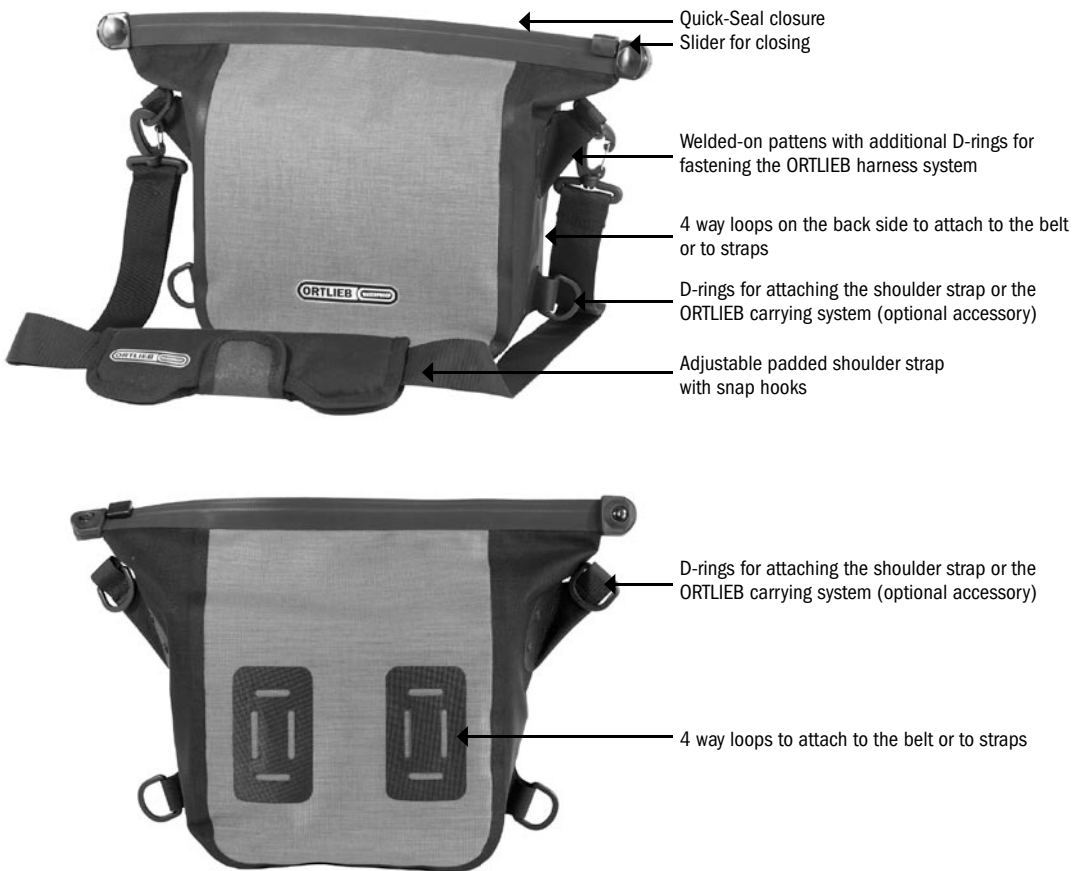


AQUA-CAM

Spacious bag for photo and video equipment



Quick-Seal closure
Slider for closing

Welded-on pattens with additional D-rings for fastening the ORTLIEB harness system

4 way loops on the back side to attach to the belt or to straps

D-rings for attaching the shoulder strap or the ORTLIEB carrying system (optional accessory)

Adjustable padded shoulder strap with snap hooks

D-rings for attaching the shoulder strap or the ORTLIEB carrying system (optional accessory)

4 way loops to attach to the belt or to straps

Size	Height cm/in.	Width cm/in.	Depth cm/in.	Vol. l/cu.in.	Weight g/oz.
M	17/6,7	22/8,7	12/4,7	4,5/275	460/16,2
L	18/7,1	26/10,2	15/5,9	7/427	500/17,7

Figures apply to inner dimensions



outdoor

Testurteil:
SEHR GUT

outdoor test result Very Good, issue May 2009



„Buyer's Recommendation“
„Waterproof“, Aug. 2009



Motorcycle Magazine „Recommendation (size L), August 2008



DigitalPhoto, „Outdoor Recommendation“, June 2007



ColorFoto „Buyer's Recommendation Outdoor“, May 2007

- Waterproof bag for video and camera equipment
- Excellent protection for camcorder-equipment and accessories
- Waterproof Quick-Seal-Closure with sealing lip
- Slider for easy and fast closing
- The removable padded camera insert protects against impacts
- The variable inner divisions meet the different requirements of camcorder or camera equipments
- D-rings for fixation of the ORTLIEB harness system (optional accessory)
- Welded on 4-way loops on the backside allow fixing to the belt or with straps in horizontal or vertical direction
- Temperatures below -5°C/23°F may affect the function of the sealing lip

Bag comes with a shoulder strap and internal padding

PRODUCT-INFO

Please find information on IP symbols on our info sheet or at www.ortlieb.com/ip-symbols

aquacam08-2009