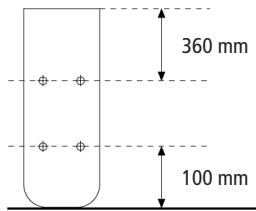
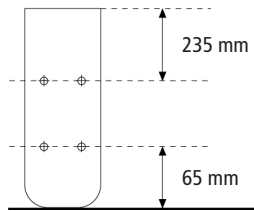


## OPTIONEN / OPTIONS

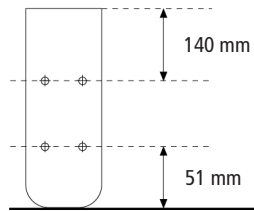
**Ortlieb  
Back-Roller, Bike-Shopper**



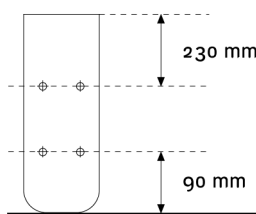
**Ortlieb  
Bike-Packer**



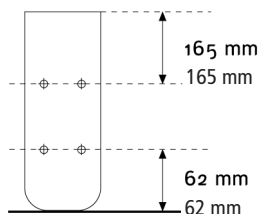
**Ortlieb  
Bike-Tourer**



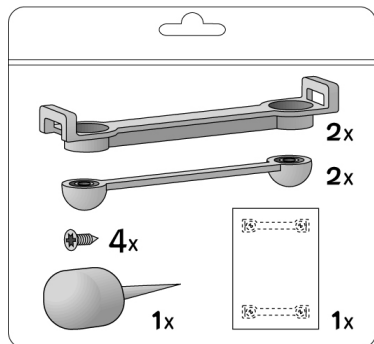
**Ortlieb  
Front-Roller**



**Ortlieb  
Sport-Packer**



## ACCESSORIES



= #/Art.-Nr. E 150



= #/Art.-Nr. F 91 S



= #/Art.-Nr. F 9121

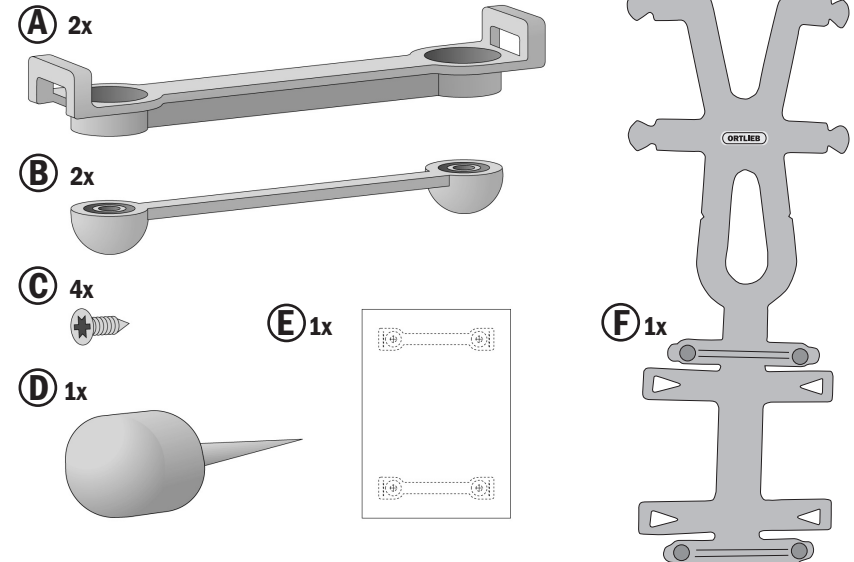
## FLASCHENHALTER BOTTLE CAGE

**ORTLIEB** WATERPROOF

- DE **MONTAGEANWEISUNG:**
- EN **ASSEMBLY INSTRUCTIONS:**
- FR **INSTRUCTIONS DE MONTAGE:**
- IT **ISTRUZIONI DI MONTAGGIO:**
- NL **MONTAGE HANDLEIDING:**
- DK **MONTERINGSVEJLEDNING:**
- ES **INSTRUCCIONES DE MONTAJE:**
- SE **MONTERINGSANVISNING:**
- NO **MONTERINGSANVISNING:**
- FI **ASENNUSOHJEET:**
- PL **INSTRUKCJA MONTAZU:**
- JP **装着方法**



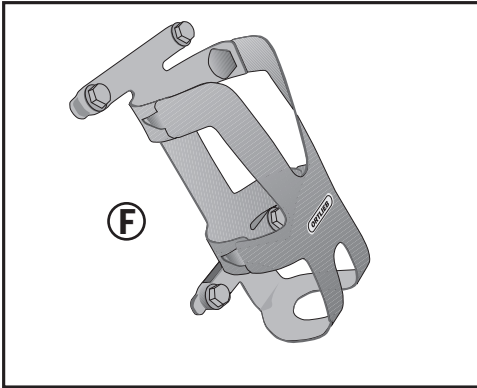
- INHALT:
- CONTENTS:
- CONTENU:
- CONTENUTO:
- INHOUD:
- INDHOLD:
- CONTENIDO:
- INNEHÅLL:
- INNHOUD:
- SISÄLLYS:
- ZAWARTOSC:
- 内容物



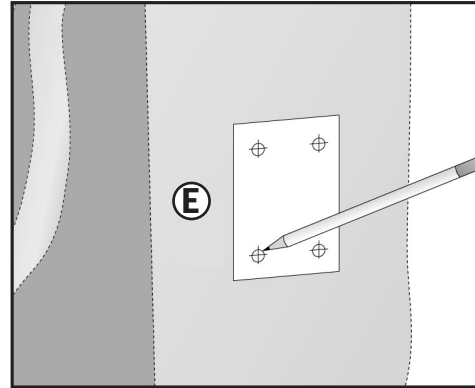
www.ortlieb.com

WA008.3009

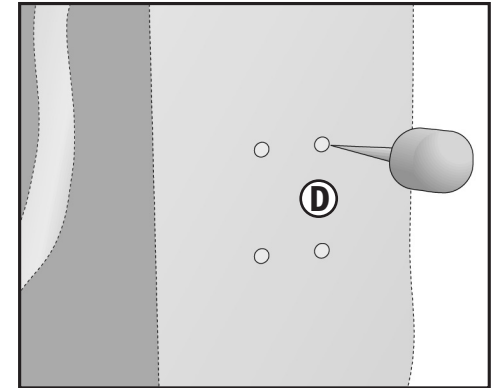
1.



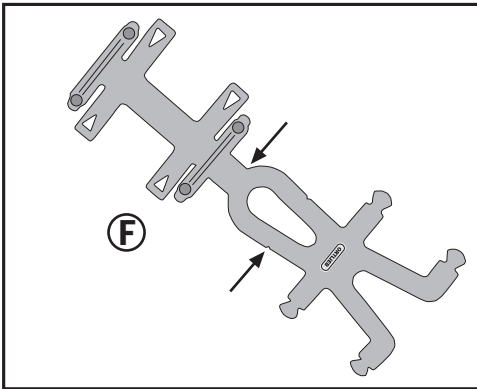
2.



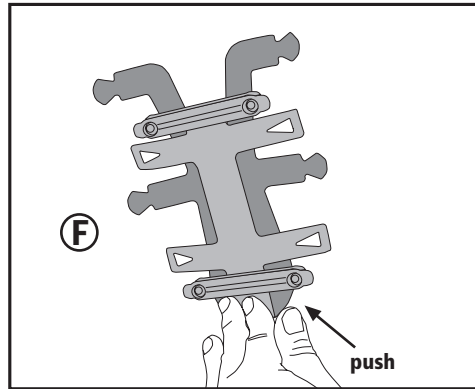
2.1



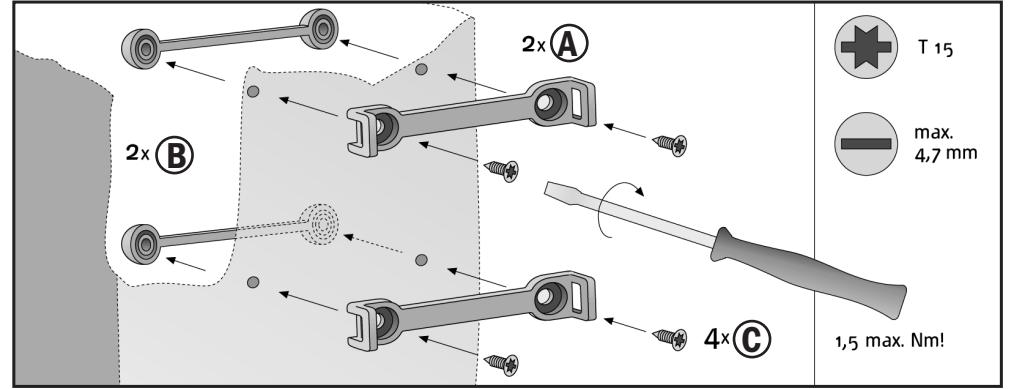
1.1



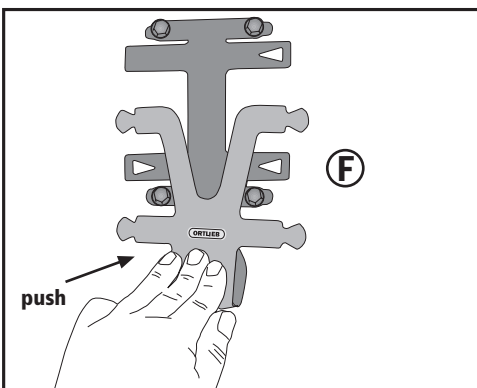
1.2



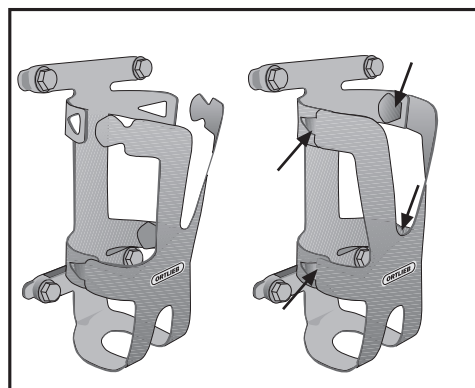
2.2



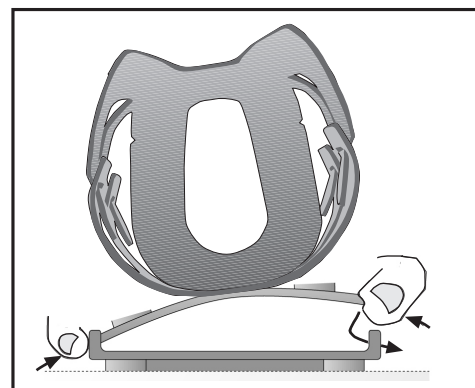
1.3



1.4



2.3



2.4

