

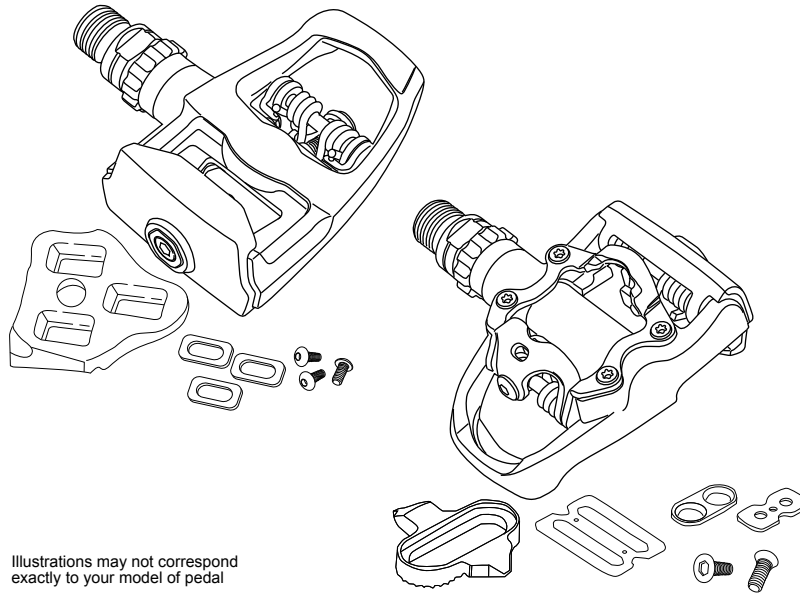
SPINNING

Dual Interface Clip-in Pedals

Look ARC / EPS-SPD

E-PR7 Series (E-PR70 - E-PR799)

INSTALLATION AND USE



Illustrations may not correspond exactly to your model of pedal

Dual interface spinning pedals have a Look-style binding on one side, and a SPD-style binding on the other. The two systems are not inter-compatible. Pedals are supplied with both Look-style road cleats (large, plastic) for use with road shoes, or SPD-style MTB cleats (small, steel) for use with MTB shoes. For road cleats, refer to **ROAD Clip-in Pedal** instructions. For MTB cleats, refer to **MTB Clip-in Pedal** (EPS-SPD System) instructions.

Warning These pedals are designed for indoor, stationary cycle use. They are not suitable for regular cycling.